

2. Specifications

2.1 Specification Sheet

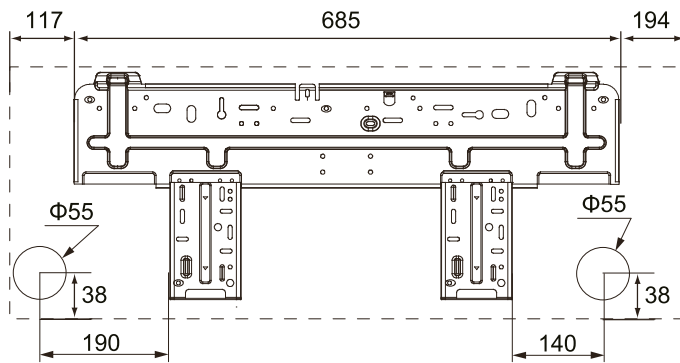
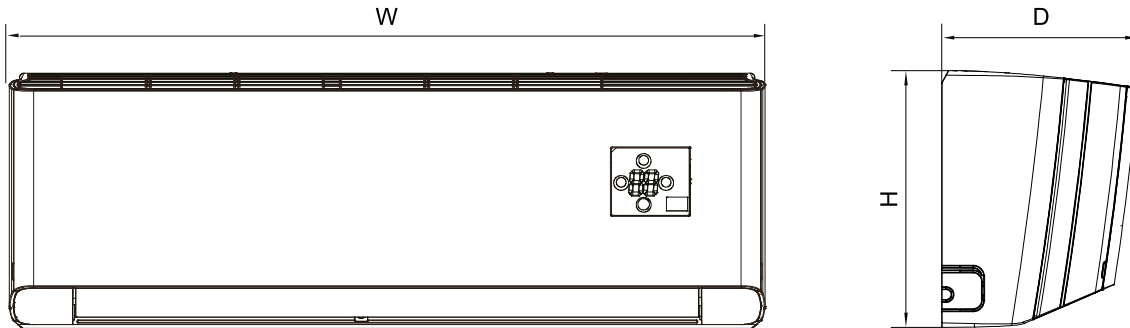
Model			GWH12YD-S6DBA1A GWH12YD-S6DBA2A	GWH12YD-S6DBA1A
Product Code			CB437003001 CB466000204	CB437003008
Power Supply	Rated Voltage	V~	220-240	220-240
	Rated Frequency	Hz	50/60	50/60
	Phases		1	1
Power Supply Mode			Outdoor	Outdoor
Cooling Capacity		W	3530	3530
Heating Capacity		W	4200	4200
Cooling Power Input		W	840	840
Heating Power Input		W	950	950
Cooling Power Current		A	5.10	5.10
Heating Power Current		A	5.70	5.70
Rated Input		W	2600	2600
Rated Current		A	8.2	8.2
Air Flow Volume(SH/H/MH/M/ML/L/SL)		m ³ /h	800/730/680/630/580/450/350/250	800/730/680/630/580/450/350/250
Dehumidifying Volume		L/h	1.40	1.40
EER		W/W	4.20	4.20
COP		W/W	4.42	4.42
SEER		W/W	8.50	8.50
HSPF		W/W	/	/
Application Area		m ²	16-24	16-24
Indoor Unit	Model of indoor unit		GWH12YD-S6DBA1A/I GWH12YD-S6DBA2A/I	GWH12YD-S6DBA1A/I
	Indoor Unit Product Code		CB437N03001 CB466N00204	CB437N03001
	Fan Type		Cross-flow	Cross-flow
	Diameter Length(DXL)		mm	Φ106X706
	Fan Motor Cooling Speed		r/min	1200/1100/1030/960/820/650/600/500
	Fan Motor Heating Speed		r/min	1300/1200/1120/1040/880/700/650
	Output of Fan Motor		W	60
	Fan Motor RLA		A	0.24
	Fan Motor Capacitor		μF	/
	Input of Heater		W	/
	Evaporator Form			Aluminum Fin-copper Tube
	Pipe Diameter		mm	Φ7
	Row-fin Gap		mm	2-1.4
	Coil Length (LXDXW)		mm	715X25.4X304.8
	Swing Motor Model			MP35CJ/MP24HF
	Output of Swing Motor		W	2.5/1.5
	Fuse		A	3.15
	Sound Pressure Level (SH/H/MH/M/ML/L/SL)		dB (A)	Cooling:44/43/38/36/31/24/22 Heating:45/43/41/38/34/26/24
	Sound Power Level (SH/H/MH/M/ML/L/SL)		dB (A)	Cooling:58/53/48/46/41/34/32 Heating:58/53/51/48/44/36/34
	Dimension (WXHXD)		mm	996X301X225
Dimension of Carton Box (LXWXH)		mm	1057X377X307	
Dimension of Package (LXWXH)		mm	1060X380X322	
Net Weight		kg	13.5	
Gross Weight		kg	16.5	

Outdoor Unit	Model of Outdoor Unit		GWH12YD-S6DBA2A/O	GWH12YD-S6DBA2A/O
	Outdoor Unit Product Code		CB466W00200	CB466W00208
	Compressor Manufacturer/Trademark		ZHUHAI LANDA COMPRESSOR CO., LTD	ZHUHAI LANDA COMPRESSOR CO., LTD
	Compressor Model		QXFT-B123zE170B	QXFT-B123zE170B
	Compressor Oil		FW68DA/equivalent	FW68DA/equivalent
	Compressor Type		Rotary	Rotary
	L.R.A.	A	20	20
	Compressor RLA	A	7.9	7.9
	Compressor Power Input	W	1230	1230
	Overload Protector		/	/
	Throttling Method		Electron expansion valve	Electron expansion valve
	Operation Temp	°C	16~30	16~30
	Ambient Temp (Cooling)	°C	-18~52	-18~52
	Ambient Temp (Heating)	°C	-30~24	-30~24
	Condenser Form		Aluminum Fin-copper Tube	Aluminum Fin-copper Tube
	Pipe Diameter	mm	Φ7.94	Φ7.94
	Rows-fin Gap	mm	2.5-1.4	2.5-1.4
	Coil Length (LXDXW)	mm	783X57X550	783X57X550
	Fan Motor Speed	rpm	850	850
	Output of Fan Motor	W	30	30
	Fan Motor RLA	A	0.37	0.37
	Fan Motor Capacitor	µF	/	/
	Air Flow Volume of Outdoor Unit	m ³ /h	2400	2400
	Fan Type		Axial-flow	Axial-flow
	Fan Diameter	mm	Φ438	Φ438
	Defrosting Method		Automatic Defrosting	Automatic Defrosting
	Climate Type		T1	T1
	Isolation		I	I
	Moisture Protection		IPX4	IPX4
	Permissible Excessive Operating Pressure for the Discharge Side	MPa	4.3	4.3
	Permissible Excessive Operating Pressure for the Suction Side	MPa	2.5	2.5
	Sound Pressure Level (H/M/L)	dB (A)	54/-/-	54/-/-
	Sound Power Level (H/M/L)	dB (A)	62/-/-	62/-/-
	Dimension (WXHxD)	mm	899X596X378	899X596X378
Dimension of Carton Box (LXWXH)	mm	945X417X630	945X417X630	
Dimension of Package (LXWXH)	mm	948X420X645	948X420X645	
Net Weight	kg	45.5	45.5	
Gross Weight	kg	48.5	48.5	
Refrigerant		R32	R32	
Refrigerant Charge	kg	1	1	
Connection Pipe	Length	m	5	5
	Gas Additional Charge	g/m	16	16
	Outer Diameter Liquid Pipe	mm	Φ6	Φ6
	Outer Diameter Gas Pipe	mm	Φ9.52	Φ9.52
	Max Distance Height	m	10	10
	Max Distance Length	m	20	20
Note: The connection pipe applies metric diameter.				

The above data is subject to change without notice; please refer to the nameplate of the unit.

3. Outline Dimension Diagram

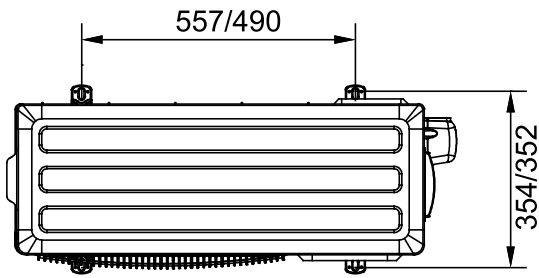
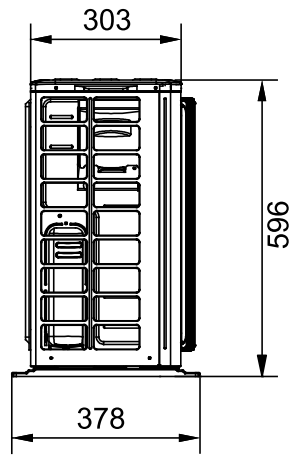
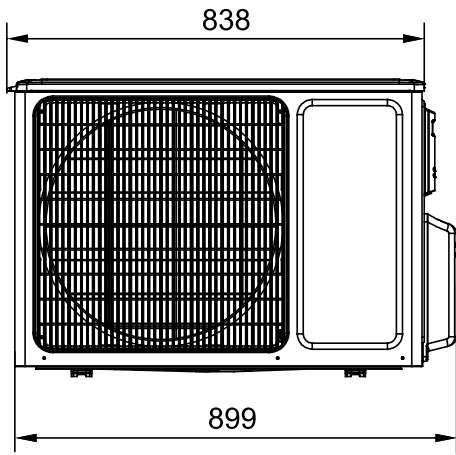
3.1 Indoor Unit



Unit:mm

Model	W	H	D
12K	996	301	225

3.2 Outdoor Unit



Unit:mm