

## 2. Specifications

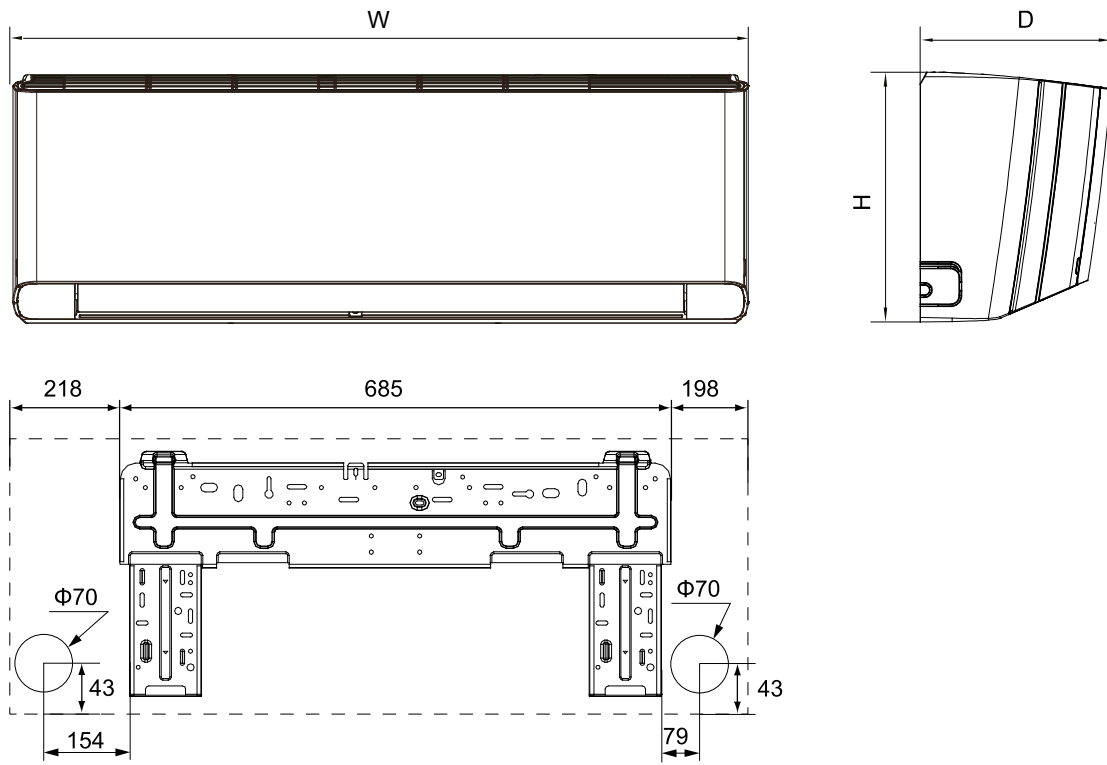
### 2.1 Specification Sheet

Model			GWH18YE-S6DBA1A GWH18YE-S6DBA2A	
Product Code			CB437002700/CB437002701 CB466000402/CB466000405/CB466000406/CB466000407	
Power Supply	Rated Voltage	V~	220-240	
	Rated Frequency	Hz	50/60	
	Phases		1	
Power Supply Mode			Outdoor	
Cooling Capacity		W	5300	
Heating Capacity		W	5570	
Cooling Power Input		W	1320	
Heating Power Input		W	1320	
Cooling Power Current		A	5.9	
Heating Power Current		A	5.9	
Rated Input		W	3300	
Rated Current		A	13	
Air Flow Volume(SH/H/M/L/SL)		m <sup>3</sup> /h	1200/1150/1050/950/850/780/600	
Dehumidifying Volume		L/h	1.8	
EER		W/W	4.02	
COP		W/W	4.22	
SEER		W/W	6.6	
HSPF		W/W	/	
SCOP(Average/Warmer/Colder)			4.4/5.1/3.4	
Application Area		m <sup>2</sup>	23-34	
Indoor Unit	Model of indoor unit		GWH18YE-S6DBA1A/I GWH18YE-S6DBA2A/I	
	Indoor Unit Product Code		CB437N02700/CB437N02701 CB466N00402/CB466N00405/CB466N00406/CB466N00407	
	Fan Type		Cross-flow	
	Diameter Length(DXL)		mm	Φ108X830
	Fan Motor Cooling Speed		r/min	1200/1150/1100/1000/900/850/800/600
	Fan Motor Heating Speed		r/min	1250/1150/1100/1000/900/850/800/-
	Output of Fan Motor		W	60
	Fan Motor RLA		A	0.24
	Fan Motor Capacitor		μF	/
	Input of Heater		W	/
	Evaporator Form			Aluminum Fin-copper Tube
	Pipe Diameter		mm	Φ7
	Row-fin Gap		mm	2-1.4
	Coil Length (LXDXW)		mm	845X25.4X342.9
	Swing Motor Model			MP35CP/MP24HF
	Output of Swing Motor		W	2.5/1.5
	Fuse		A	3.15
	Sound Pressure Level (SH/H/M/L/SL)		dB (A)	48/45/43/40/37/35/33
	Sound Power Level (SH/H/M/L/SL)		dB (A)	60/57/55/52/49/47/45
	Dimension (WXHXD)		mm	1101X327X249
	Dimension of Carton Box (LXWXH)		mm	1164X402X339
Dimension of Package (LXWXH)		mm	1167X405X354	
Net Weight		kg	16.5	
Gross Weight		kg	20	



### 3. Outline Dimension Diagram

#### 3.1 Indoor Unit



Unit:mm

Model	W	H	D
18K	1101	327	249

