

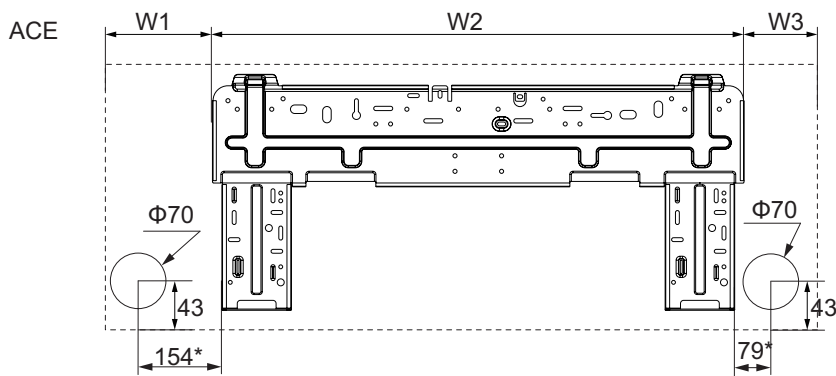
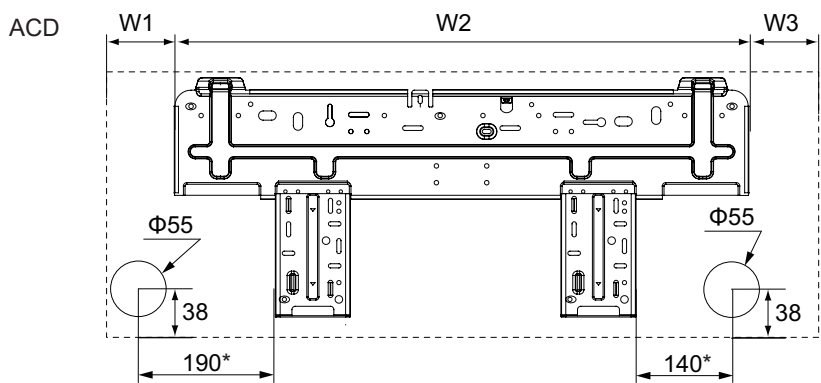
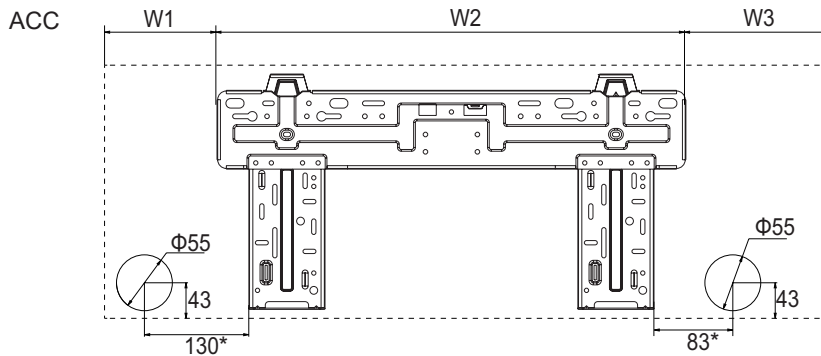
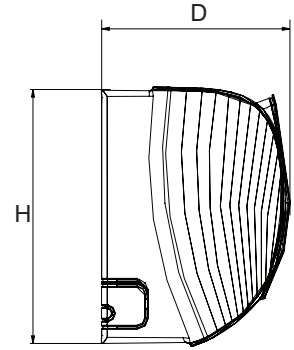
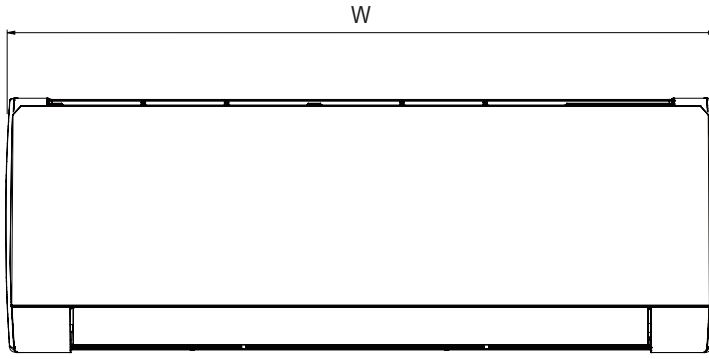
Model			1.GWH12ACC-K6DNA1F 2.GWH12ACC-K6DNA2F 3.GWH12ACC-K6DNA5F	1.GWH12ACC-K6DNA1F 2.GWH12ACC-K6DNA3F
Product Code			1.CB497015800/CB497015807/ CB497015806/CB497015809/ CB497015811 2.CB342002700 3.CB341002901	1.CB497015801/CB497015802/ CB497015803 2.CB343004601
Power Supply	Rated Voltage	V~	220-240	220-240
	Rated Frequency	Hz	50	50
	Phases		1	1
Power Supply Mode			Outdoor	Outdoor
Cooling Capacity		W	3510	3510
Heating Capacity		W	3810	3810
Cooling Power Input		W	962	962
Heating Power Input		W	953	953
Cooling Current Input		A	4.3	4.3
Heating Current Input		A	4.6	4.6
Rated Input		W	1550	1550
Rated Cooling Current		A	6.2	6.2
Rated Heating Current		A	6.9	6.9
Air Flow Volume		m ³ /h	700/650/600/540/480/420/360/300	700/650/600/540/480/420/360/300
Dehumidifying Volume		L/h	1.4	1.4
EER		W/W	3.65	3.65
COP		W/W	4	4
SEER		W/W	7.1	7.1
SCOP(Average/WarmerColder)		W/W	4.1/5.2/3.1	4.1/5.2/3.1
Application Area		m ²	16-24	16-24
Indoor Unit	Model		1.GWH12ACC-K6DNA1F/I 2.GWH12ACC-K6DNA2F/I 3.GWH12ACC-K6DNA5F/I	1.GWH12ACC-K6DNA1F/I 2.GWH12ACC-K6DNA3F/I
	Product Code		1.CB497N15800/CB497N15802/ CB497N15803/CB497N15809/ CB497N15811 2.CB342N02700 3.CB341N02901	1.CB497N15800/CB497N15802/ CB497N15803 2.CB343N04600
	Fan Type		Cross-flow	Cross-flow
	Fan Diameter Length(DXL)	mm	Φ98×633.5	Φ98×633.5
	Cooling Speed	r/min	1350/1200/1100/1000/920/850/800	1350/1200/1100/1000/920/850/800
	Heating Speed	r/min	1300/1200/1120/1050/980/900/850	1300/1200/1120/1050/980/900/850
	Fan Motor Power Output	W	20	20
	Fan Motor RLA	A	0.31	0.31
	Fan Motor Capacitor	μF	1.5	1.5
	Evaporator Form		Aluminum Fin-copper Tube	Aluminum Fin-copper Tube
	Evaporator Pipe Diameter	mm	Φ5	Φ5
	Evaporator Row-fin Gap	mm	2-1.4	2-1.4
	Evaporator Coil Length (LXD _X W)	mm	635×22.8×306.3	635×22.8×306.3
	Swing Motor Model		MP24EB/MP24HF	MP24EB/MP24HF
	Swing Motor Power Output	W	1.5/1.5	1.5/1.5
	Fuse Current	A	3.15	3.15
	Sound Pressure Level	dB (A)	Cooling:42/38/35/32/29/27/25 Heating:42/38/36/34/32/30/28	Cooling:42/38/35/32/29/26/25 Heating:42/38/36/34/32/30/28
	Sound Power Level	dB (A)	Cooling:57/50/47/44/41/39/37 Heating:52/48/46/44/42/40/38	Cooling:57/50/47/44/41/38/37 Heating:52/48/46/44/42/40/38
	Dimension (WXHXD)	mm	889X294X212	889X294X212
	Dimension of Carton Box (LXWXH)	mm	935X349X273	935X349X273
Dimension of Package (LXWXH)	mm	940X365X284	940X365X284	
Net Weight	kg	11	11	
Gross Weight	kg	13	13	

Outdoor Unit	Outdoor Unit Model		GWH12AFC-K6DNA2F/O	GWH12AFC-K6DNA2F/O
	Outdoor Unit Product Code		CB363W03600	CB363W03601
	Compressor Manufacturer		ZHUHAI LANDA COMPRESSOR CO., LTD	ZHUHAI LANDA COMPRESSOR CO., LTD
	Compressor Model		FTz-AN108ACBD	FTz-AN108ACBD
	Compressor Oil		FW68DA or equivalent	FW68DA or equivalent
	Compressor Type		Rotary	Rotary
	Compressor LRA.	A	/	/
	Compressor RLA	A	4.4	4.4
	Compressor Power Input	W	/	/
	Compressor Overload Protector		/	/
	Throttling Method		Electron expansion valve	Electron expansion valve
	Set Temperature Range	°C	16~30	16~30
	Cooling Operation Ambient Temperature Range	°C	-15~50	-15~50
	Heating Operation Ambient Temperature Range	°C	-25~30	-15~30
	Condenser Form		Aluminum Fin-copper Tube	Aluminum Fin-copper Tube
	Condenser Pipe Diameter	mm	Φ7.94	Φ7.94
	Condenser Rows-fin Gap	mm	1-1.2	1-1.2
	Condenser Coil Length (LXDXW)	mm	666×19.05×527	666×19.05×527
	Fan Motor Speed	rpm	900	900
	Fan Motor Power Output	W	30	30
	Fan Motor RLA	A	0.4	0.4
	Fan Motor Capacitor	μF	/	/
	Outdoor Unit Air Flow Volume	m ³ /h	1950	1950
	Fan Type		Axial-flow	Axial-flow
	Fan Diameter	mm	400	400
	Defrosting Method		Automatic Defrosting	Automatic Defrosting
	Climate Type		T1	T1
	Isolation		I	I
	Moisture Protection		IPX4	IPX4
	Permissible Excessive Operating Pressure for the Discharge Side	MPa	4.3	4.3
	Permissible Excessive Operating Pressure for the Suction Side	MPa	2.5	2.5
	Sound Pressure Level (H/M/L)	dB (A)	52	52
Sound Power Level (H/M/L)	dB (A)	63	63	
Dimension(WXHXD)	mm	732X555X330	732X555X330	
Dimension of Carton Box (LXWXH)	mm	791X373X590	791X373X590	
Dimension of Package(LXWXH)	mm	794X376X605	794X376X605	
Net Weight	kg	24.5	24.5	
Gross Weight	kg	27	27	
Refrigerant		R32	R32	
Refrigerant Charge	kg	0.57	0.57	
Connection Pipe	Connection Pipe Length	m	5	5
	Connection Pipe Gas Additional Charge	g/m	16	16
	Outer Diameter Liquid Pipe		1/4"	1/4"
	Outer Diameter Gas Pipe		3/8"	3/8"
	Max Distance Height	m	10	10
	Max Distance Length	m	15	15
	Note: The connection pipe applies metric diameter.			

The above data is subject to change without notice. Please refer to the nameplate of the unit.

3. Outline Dimension Diagram

3.1 Indoor Unit

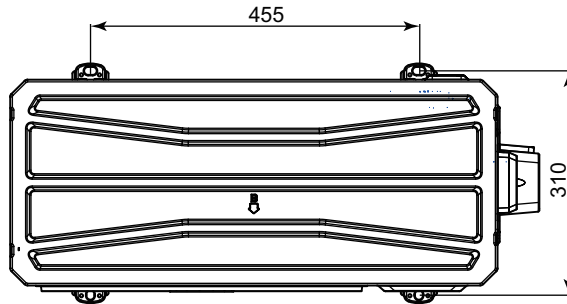
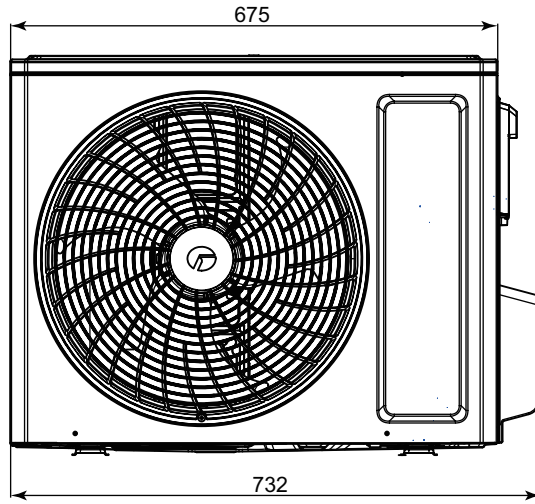
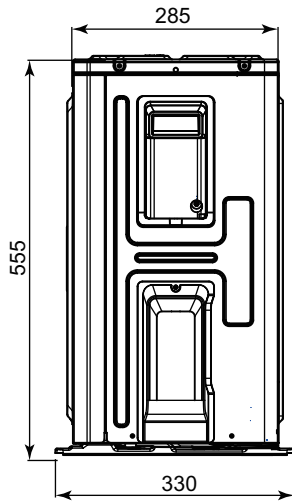


Model	W	H	D	W1	W2	W3
ACC	889	294	212	146	542	201
ACD	1013	307	221	125.5	685	202.5
ACE	1122	329	247	207	685	230

* Recommended distance

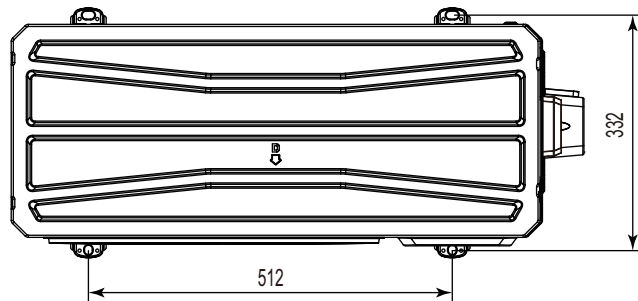
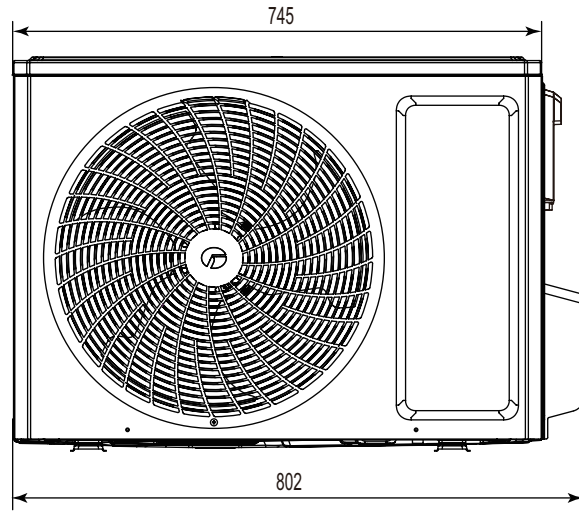
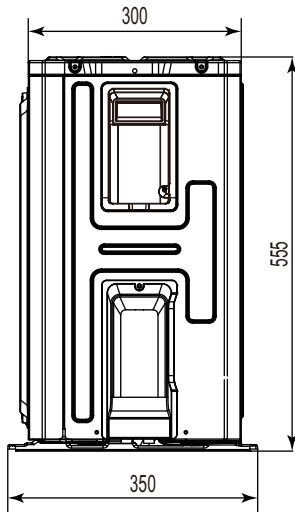
3.2 Outdoor Unit

GWH09AFC-K6DNA2F/O GWH12AFC-K6DNA2F/O GWH18ALD-K6DNA1A/O



Unit:mm

GWH18AFD-K6DNA2I/O



Unit:mm