

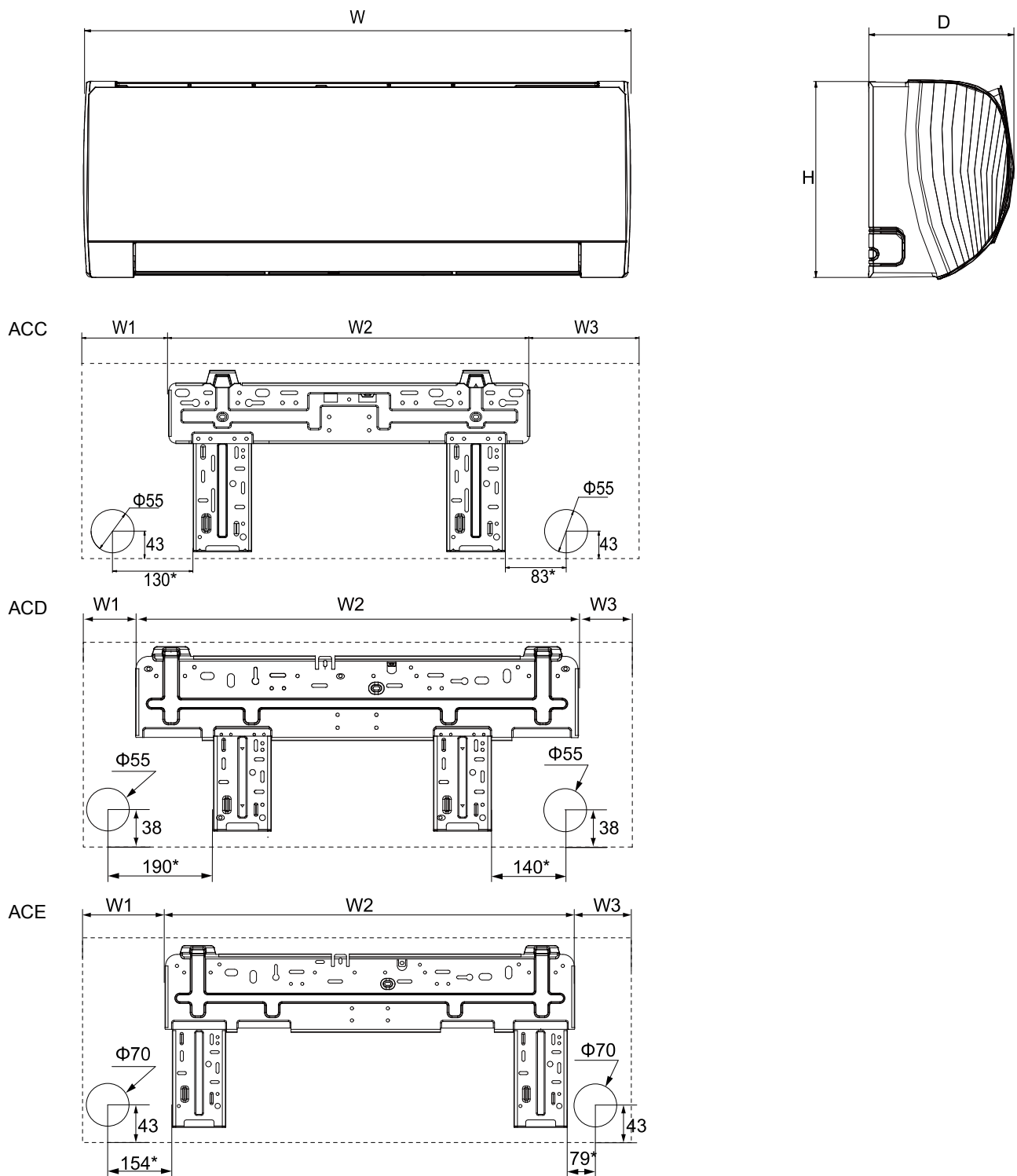
| Model | | | GWH18ACDXF-K6DNA1A GWH18ACDXF-K6DNA3A | GWH18ACDXF-K6DNA1A |
|------------------------------|---------------------------------|-------------------|-----------------------------------------------------------------|-----------------------------------------------------------------|
| Product Code | | | CB497016900 CB343004500 | <u>CB497016901</u> /CB497016902/ CB497016903/CB497016904 |
| Power Supply | Rated Voltage | V~ | 220-240 | 220-240 |
| | Rated Frequency | Hz | 50 | 50 |
| | Phases | | 1 | 1 |
| Power Supply Mode | | | Outdoor | Outdoor |
| Cooling Capacity | | W | 5300 | 5300 |
| Heating Capacity | | W | 5600 | 5600 |
| Cooling Power Input | | W | 1413 | 1413 |
| Heating Power Input | | W | 1333 | 1333 |
| Cooling Current Input | | A | 6.5 | 6.5 |
| Heating Current Input | | A | 6.2 | 6.2 |
| Rated Input | | W | 2500 | 2500 |
| Rated Cooling Current | | A | 11.5 | 11.5 |
| Rated Heating Current | | A | 12.5 | 12.5 |
| Air Flow Volume | | m ³ /h | 850/750/680/610/570/520/460 | 850/750/680/610/570/520/460 |
| Dehumidifying Volume | | L/h | 1.9 | 1.9 |
| EER | | W/W | 3.75 | 3.75 |
| COP | | W/W | 4.20 | 4.20 |
| SEER | | W/W | 7.6 | 7.6 |
| SCOP(Average/WarmerColder) | | W/W | 4.3/5.8/3.5 | 4.3/5.8/3.5 |
| Application Area | | m ² | 23-34 | 23-34 |
| Indoor Unit | Model | | GWH18ACDXF-K6DNA1A/I GWH18ACDXF-K6DNA3A/I | GWH18ACDXF-K6DNA1A/I |
| | Product Code | | CB497N16900 CB343N04500 | CB497N16900/CB497N16902/ CB497N16903/CB497N16904 |
| | Fan Type | | Cross-flow | Cross-flow |
| | Fan Diameter Length(DXL) | mm | Φ106×706 | Φ106×706 |
| | Cooling Speed | r/min | 1230/1170/1100/1020/960/880/800/550 | 1230/1170/1100/1020/960/880/800/550 |
| | Heating Speed | r/min | 1400/1270/1200/1130/1050/980/900 | 1400/1270/1200/1130/1050/980/900 |
| | Fan Motor Power Output | W | 45 | 45 |
| | Fan Motor RLA | A | 0.24 | 0.24 |
| | Fan Motor Capacitor | μF | / | / |
| | Evaporator Form | | Aluminum Fin-copper Tube | Aluminum Fin-copper Tube |
| | Evaporator Pipe Diameter | mm | Φ7 | Φ7 |
| | Evaporator Row-fin Gap | mm | 2-1.4 | 2-1.4 |
| | Evaporator Coil Length (LXDXW) | mm | 715×25.4×304.8 | 715×25.4×304.8 |
| | Swing Motor Model | | MP35CJ/MP24HF | MP35CJ/MP24HF |
| | Swing Motor Power Output | W | 2.5/1.5 | 2.5/1.5 |
| | Fuse Current | A | 3.15 | 3.15 |
| | Sound Pressure Level | dB (A) | Cooling:43/41/39/37/35/32/31/21 Heating:47/45/42/40/38/36/33 | Cooling:43/41/39/37/35/32/31/21 Heating:47/45/42/40/38/36/33 |
| | Sound Power Level | dB (A) | Cooling:60/57/55/54/52/50/46/34 Heating:60/58/57/56/54/52/48 | Cooling:60/57/55/54/52/50/46/34 Heating:60/58/57/56/54/52/48 |
| | Dimension (WXHXD) | mm | 1013X307X221 | 1013X307X221 |
| | Dimension of Carton Box (LXWXH) | mm | 1055X366X287 | 1055X366X287 |
| Dimension of Package (LXWXH) | mm | 1060X374X297 | 1060X374X297 | |
| Net Weight | kg | 13 | 13 | |
| Gross Weight | kg | 15.5 | 15.5 | |

| | | | | |
|---------------------------------|-----------------------------------------------------------------|-------------------|---------------------------------|---------------------------------|
| Outdoor Unit | Outdoor Unit Model | | GWH18ACDXF-K6DNA1A/O | GWH18ACDXF-K6DNA1A/O |
| | Outdoor Unit Product Code | | CB497W16900 | CB497W16901 |
| | Compressor Manufacturer | | ZHUHAI LANDA COMPRESSOR CO.,LTD | ZHUHAI LANDA COMPRESSOR CO.,LTD |
| | Compressor Model | | FTz-SM151AXB | FTz-SM151AXB |
| | Compressor Oil | | FW68DA or equivalent | FW68DA or equivalent |
| | Compressor Type | | Rotary | Rotary |
| | Compressor LRA | A | 18 | 18 |
| | Compressor RLA | A | 6.06 | 6.06 |
| | Compressor Power Input | W | 1330 | 1330 |
| | Compressor Overload Protector | | / | / |
| | Throttling Method | | Electron expansion valve | Electron expansion valve |
| | Set Temperature Range | °C | 16~30 | 16~30 |
| | Cooling Operation Ambient Temperature Range | °C | -15~50 | -15~50 |
| | Heating Operation Ambient Temperature Range | °C | -15~30 | -25~30 |
| | Condenser Form | | Aluminum Fin-copper Tube | Aluminum Fin-copper Tube |
| | Condenser Pipe Diameter | mm | Φ7 | Φ7 |
| | Condenser Rows-fin Gap | mm | 2-1.4 | 2-1.4 |
| | Condenser Coil Length (LXDXW) | mm | 839×38.1×616 | 839×38.1×616 |
| | Fan Motor Speed | rpm | 800 | 800 |
| | Fan Motor Power Output | W | 60 | 60 |
| | Fan Motor RLA | A | 0.65 | 0.65 |
| | Fan Motor Capacitor | μF | / | / |
| | Outdoor Unit Air Flow Volume | m ³ /h | 3600 | 3600 |
| | Fan Type | | Axial-flow | Axial-flow |
| | Fan Diameter | mm | 520 | 520 |
| | Defrosting Method | | Automatic Defrosting | Automatic Defrosting |
| | Climate Type | | T1 | T1 |
| | Isolation | | I | I |
| | Moisture Protection | | IPX4 | IPX4 |
| | Permissible Excessive Operating Pressure for the Discharge Side | MPa | 4.3 | 4.3 |
| | Permissible Excessive Operating Pressure for the Suction Side | MPa | 2.5 | 2.5 |
| | Sound Pressure Level (H/M/L) | dB (A) | 57 | 57 |
| | Sound Power Level (H/M/L) | dB (A) | 64 | 64 |
| Dimension(WXHXD) | mm | 958X660X402 | 958X660X402 | |
| Dimension of Carton Box (LXWXH) | mm | 1029X453X715 | 1029X453X715 | |
| Dimension of Package(LXWXH) | mm | 1032X456X737 | 1032X456X737 | |
| Net Weight | kg | 40.5 | 40.5 | |
| Gross Weight | kg | 45 | 45 | |
| Refrigerant | | R32 | R32 | |
| Refrigerant Charge | kg | 1 | 1 | |
| Connection Pipe | Connection Pipe Length | m | 5 | 5 |
| | Connection Pipe Gas Additional Charge | g/m | 16 | 16 |
| | Outer Diameter Liquid Pipe | | 1/4" | 1/4" |
| | Outer Diameter Gas Pipe | | 1/2" | 1/2" |
| | Max Distance Height | m | 10 | 10 |
| | Max Distance Length | m | 25 | 25 |
| | Note: The connection pipe applies metric diameter. | | | |

The above data is subject to change without notice. Please refer to the nameplate of the unit.

3. Outline Dimension Diagram

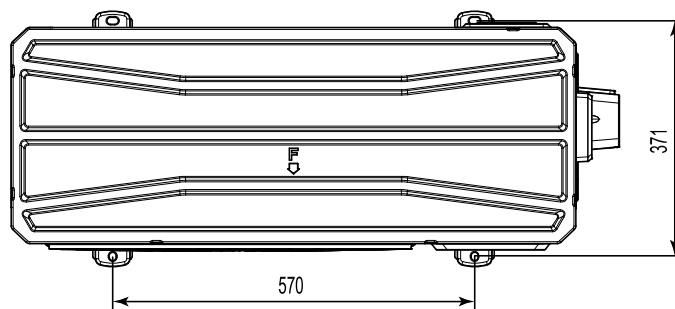
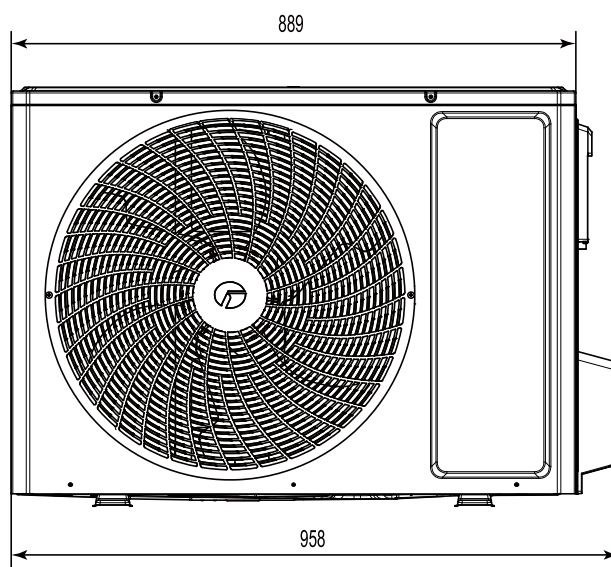
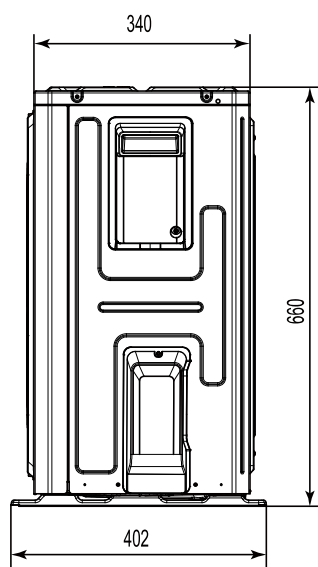
3.1 Indoor Unit



| Model | W | H | D | W1 | W2 | W3 |
|-------|------|-----|-----|-------|-----|-------|
| ACC | 889 | 294 | 212 | 146 | 542 | 201 |
| ACD | 1013 | 307 | 221 | 125.5 | 685 | 202.5 |
| ACE | 1122 | 329 | 247 | 207 | 685 | 230 |

* Recommended distance

GWH18ACDXF-K6DNA1A/O GWH24AFE-K6DNA2I/O



Unit:mm