

2.1 Specification Sheet

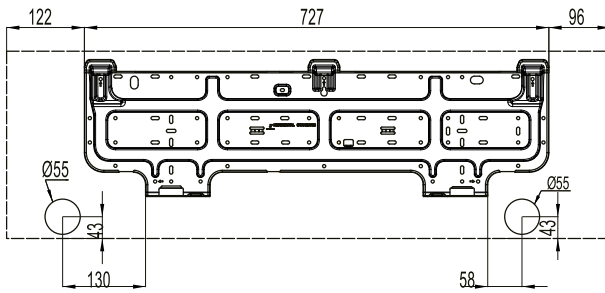
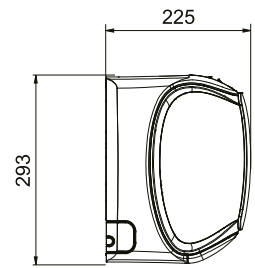
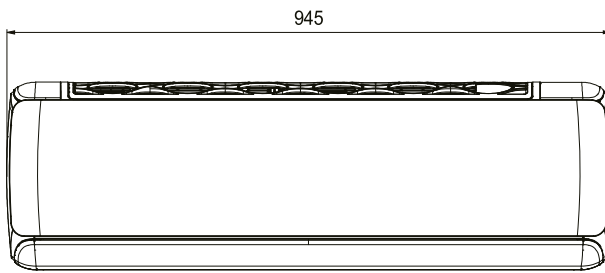
Model			GWH09AECXB-K6DNA1A
Product Code			CB370001400
Power Supply	Rated Voltage	V~	220-240
	Rated Frequency	Hz	50
	Phases		1
Power Supply Mode			Outdoor
Cooling Capacity		W	2700
Heating Capacity		W	3200
Cooling Power Input		W	600
Heating Power Input		W	715
Cooling Current Input		A	3.10
Heating Current Input		A	3.70
Rated Input		W	1500
Rated Cooling Current		A	6.3
Rated Heating Current		A	6.8
Air Flow Volume		m ³ /h	735/600/550/490/470/360/200
Dehumidifying Volume		L/h	0.80
EER		W/W	4.50
COP		W/W	4.48
SEER		--	8.8
SCOP (Warmer/Average/Colder)		--	5.8/4.6/3.9
Application Area		m ²	12-18
Indoor Unit	Model		GWH09AECXB-K6DNA1A/I
	Product Code		CB370N01400
	Fan Type		Cross-flow
	Fan Diameter Length(DXL)	mm	Φ98X633
	Cooling Speed	r/min	1300/1150/1050/950/800/600/550/500
	Heating Speed	r/min	1300/1150/1050/950/900/800/750
	Fan Motor Power Output	W	15
	Fan Motor RLA	A	0.063
	Fan Motor Capacitor	μF	/
	Evaporator Form		Aluminum Fin-copper Tube
	Evaporator Pipe Diameter	mm	Φ5
	Evaporator Row-fin Gap	mm	2-1.4
	Evaporator Coil Length (LXDXW)	mm	634X22.8X304.8
	Swing Motor Model		MP35CN/MP30AS/MP35CN/MP20AC
	Swing Motor Power Output	W	2.5/2/2.5/1.5
	Fuse Current	A	3.15
	Sound Pressure Level	dB (A)	Cooling:41/38/36/32/27/22/21 Heating:43/39/36/33/31/27/26
	Sound Power Level	dB (A)	Cooling:57/53/50/47/42/36/35 Heating:57/53/50/47/45/41/40
	Dimension (WXHXD)	mm	945X293X225
	Dimension of Carton Box (LXWXH)	mm	1032X381X310
Dimension of Package (LXWXH)	mm	1035X384X325	
Net Weight	kg	14	
Gross Weight	kg	17	

Outdoor Unit	Outdoor Unit Model		GWH09AECXB-K6DNA1A/O
	Outdoor Unit Product Code		CB370W01400
	Compressor Manufacturer		ZHUHAI LANDA COMPRESSOR CO.,LTD
	Compressor Model		QXF-A082zC170
	Compressor Oil		ZE-G;ES RB68GX or equivalent
	Compressor Type		Rotary
	Compressor LRA.	A	15.00
	Compressor RLA	A	2.56
	Compressor Power Input	W	756.6
	Compressor Overload Protector		/
	Throttling Method		Electron expansion valve
	Set Temperature Range	°C	16~30
	Cooling Operation Ambient Temperature Range	°C	-15~43
	Heating Operation Ambient Temperature Range	°C	-22~24
	Condenser Form		Aluminum Fin-copper Tube
	Condenser Pipe Diameter	mm	Φ7
	Condenser Rows-fin Gap	mm	2-1.4
	Condenser Coil Length (LXDXW)	mm	666X38.1X527
	Fan Motor Speed	rpm	30
	Fan Motor Power Output	W	0.40
	Fan Motor RLA	A	/
	Fan Motor Capacitor	μF	1950
	Heater Power Input	W	/
	Outdoor Unit Air Flow Volume	m ³ /h	1950
	Fan Type		Axial-flow
	Fan Diameter	mm	Φ400
	Defrosting Method		Automatic Defrosting
	Climate Type		T1
	Isolation		I
	Moisture Protection		IPX4
	Permissible Excessive Operating Pressure for the Discharge Side	MPa	4.3
	Permissible Excessive Operating Pressure for the Suction Side	MPa	2.5
	Sound Pressure Level (H/M/L)	dB (A)	52/-/-
	Sound Power Level (H/M/L)	dB (A)	62/-/-
Dimension(WXHXD)	mm	732X555X330	
Dimension of Carton Box (LXWXH)	mm	791X373X590	
Dimension of Package(LXWXH)	mm	794X376X615	
Net Weight	kg	26.5	
Gross Weight	kg	29	
Refrigerant		R32	
Refrigerant Charge	kg	0.7	
Connection Pipe	Connection Pipe Length	m	5
	Connection Pipe Gas Additional Charge	g/m	16
	Outer Diameter Liquid Pipe	inch	1/4"
	Outer Diameter Gas Pipe	inch	3/8"
	Max Distance Height	m	10
	Max Distance Length	m	15
Note: The connection pipe applies metric diameter.			

The above data is subject to change without notice. Please refer to the nameplate of the unit.

3. Outline Dimension Diagram

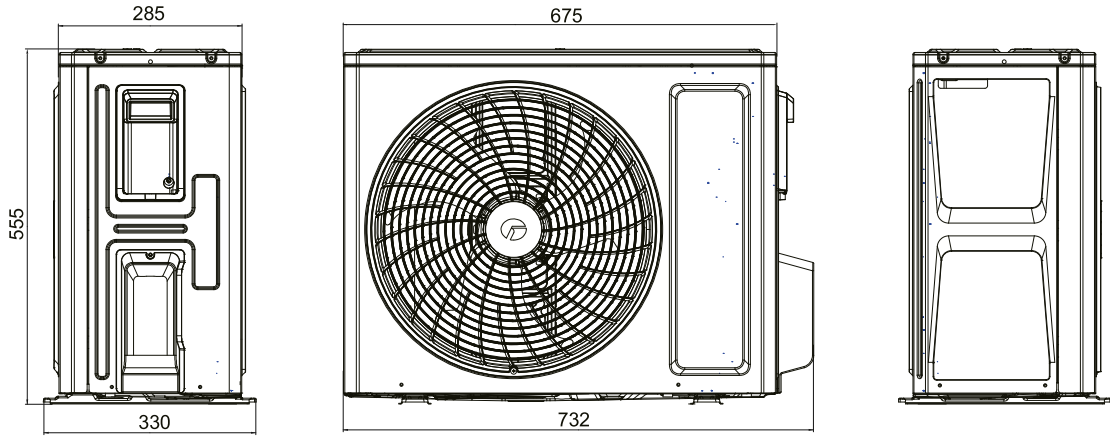
3.1 Indoor Unit



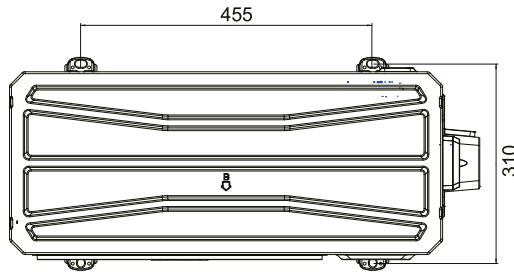
Unit:mm

3.2 Outdoor Unit

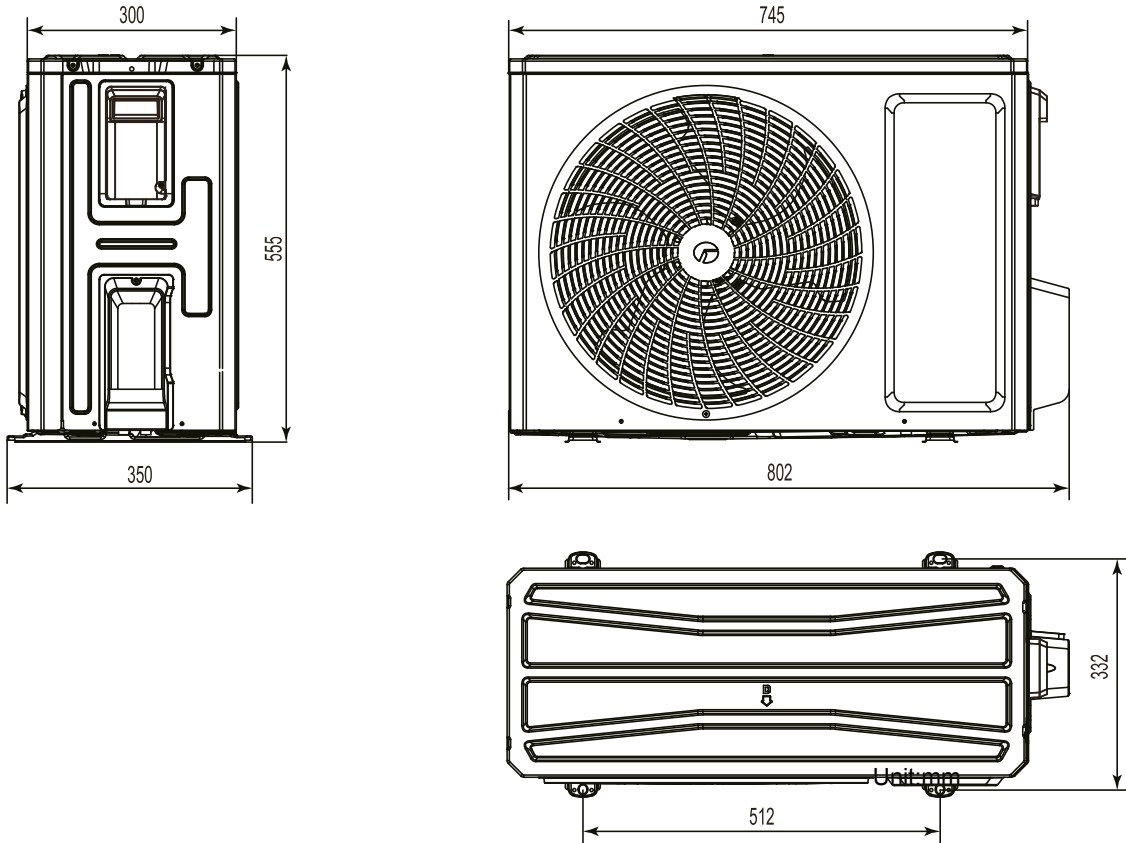
GWH09AECXB-K6DNA1A/O



Unit:mm



GWH12AECXD-K6DNA1A/O



Unit:mm