

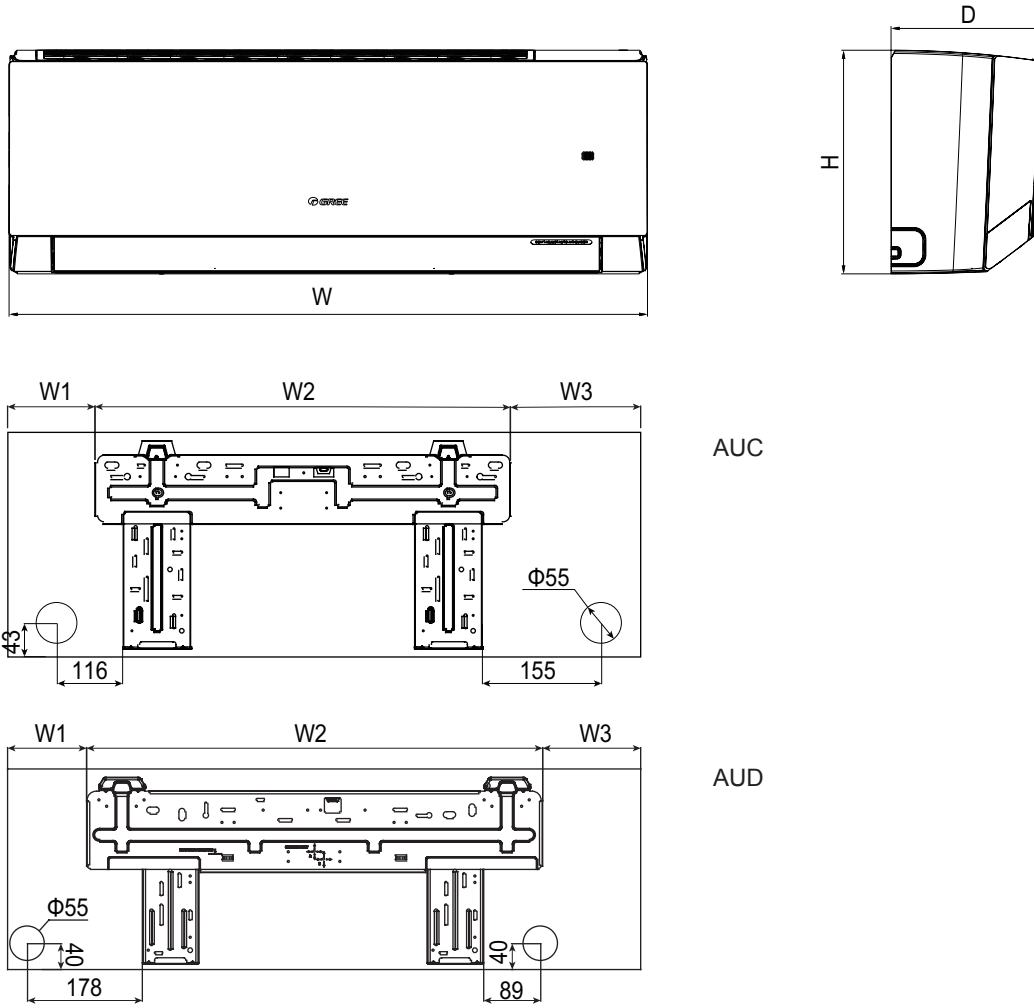
Model			1.GWH12AUCXB-K6DNA1A 2.GWH12AUCXB-K6DNA2A
Product Code			1.CB575000200/CB575000202/CB575000203/CB575000204/CB575000207 2.CB597000100/CB597000102/CB597000103
Power Supply	Rated Voltage	V~	220-240
	Rated Frequency	Hz	50
	Phases		1
Power Supply Mode			Outdoor
Cooling Capacity		W	3510
Heating Capacity		W	3810
Cooling Power Input		W	989
Heating Power Input		W	977
Cooling Current Input		A	4.4
Heating Current Input		A	4.4
Rated Input		W	1650
Rated Cooling Current		A	6.2
Rated Heating Current		A	7.4
Air Flow Volume		m ³ /h	680/620/560/490/450/420/390/220
Dehumidifying Volume		L/h	1.40
EER		W/W	3.55
COP		W/W	3.90
SEER			7.2
SCOP(Average/WarmerColder)			4.1/5.2/3.1
Application Area		m ²	16-24
Indoor Unit	Model		1.GWH12AUCXB-K6DNA1A/I 2.GWH12AUCXB-K6DNA2A/I
	Product Code		1.CB575N00200/CB575N00202/CB575N00203/CB575N00204/CB575N00206 2.CB597N00100/CB597N00102/CB597N00103
	Fan Type		Cross-flow
	Fan Diameter Length(DXL)	mm	Φ98×630
	Cooling Speed	r/min	1300/1200/1100/1000/900/800/750/500
	Heating Speed	r/min	1300/1200/1100/1000/900/850/800
	Fan Motor Power Output	W	15
	Fan Motor RLA	A	0.20
	Fan Motor Capacitor	μF	/
	Heater Power Input	W	25
	Evaporator Form		Aluminum Fin-copper Tube
	Evaporator Pipe Diameter	mm	Φ5
	Evaporator Row-fin Gap	mm	2-1.4
	Evaporator Coil Length (LXDXW)	mm	634×22.8×304.8
	Swing Motor Model		MP24BA/MP24AK/MP24HF
	Swing Motor Power Output	W	1.5/1.5/1.5
	Fuse Current	A	3.15
	Sound Pressure Level	dB (A)	Cooling:41/38/36/33/30/27/25/19 Heating:41/38/36/33/29/27/26
	Sound Power Level	dB (A)	Cooling:60/52/50/47/44/41/39/33 Heating:55/52/50/47/43/41/40
	Dimension (WXHXD)	mm	837×293×200
	Dimension of Carton Box (LXWXH)	mm	891×357×261
	Dimension of Package (LXWXH)	mm	896×373×272
	Net Weight	kg	9.5
Gross Weight	kg	11.5	

Outdoor Unit	Outdoor Unit Model		GWH12AUCXB-K6DNA1A/O(LCLH)	
	Outdoor Unit Product Code		CB575W00200	
	Compressor Manufacturer		ZHUHAI LANDA COMPRESSOR CO., LTD	
	Compressor Model		FTz-AN108ACBD	
	Compressor Oil		FW68DA or equivalent	
	Compressor Type		Rotary	
	Compressor LRA.	A		/
	Compressor RLA	A		4.40
	Compressor Power Input	W		/
	Compressor Overload Protector			/
	Throttling Method			Electron expansion valve
	Set Temperature Range	°C		16~30
	Cooling Operation Ambient Temperature Range	°C		-15~50
	Heating Operation Ambient Temperature Range	°C		-25~30
	Condenser Form			Aluminum Fin-copper Tube
	Condenser Pipe Diameter	mm		Φ7.94
	Condenser Rows-fin Gap	mm		1-1.2
	Condenser Coil Length (LXDXW)	mm		666×19.05×527
	Fan Motor Speed	rpm		900
	Fan Motor Power Output	W		30
	Fan Motor RLA	A		0.40
	Fan Motor Capacitor	μF		/
	Outdoor Unit Air Flow Volume	m ³ /h		1950
	Fan Type			Axial-flow
	Fan Diameter	mm		Φ400
	Defrosting Method			Automatic Defrosting
	Climate Type			T1
	Isolation			I
	Moisture Protection			IPX4
	Permissible Excessive Operating Pressure for the Discharge Side	MPa		4.3
	Permissible Excessive Operating Pressure for the Suction Side	MPa		2.5
	Sound Pressure Level	dB (A)		52
	Sound Power Level	dB (A)		63
Dimension(WXHxD)	mm		732×555×330	
Dimension of Carton Box (LXWXH)	mm		791×373×590	
Dimension of Package(LXWXH)	mm		794×376×615	
Net Weight	kg		25.5	
Gross Weight	kg		28	
Refrigerant			R32	
Refrigerant Charge	kg		0.57	
Connection Pipe	Connection Pipe Length	m	5	
	Connection Pipe Gas Additional Charge	g/m	16	
	Outer Diameter Liquid Pipe		1/4"	
	Outer Diameter Gas Pipe		3/8"	
	Max Distance Height	m	10	
	Max Distance Length	m	15	
Note: The connection pipe applies metric diameter.				

The above data is subject to change without notice. Please refer to the nameplate of the unit.

3. Outline Dimension Diagram

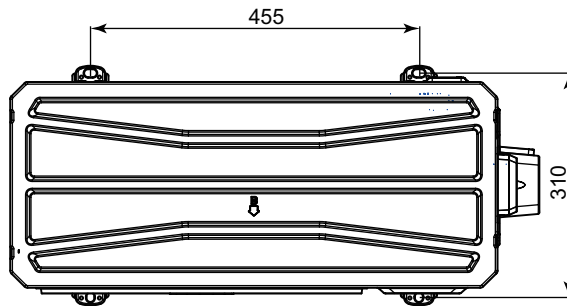
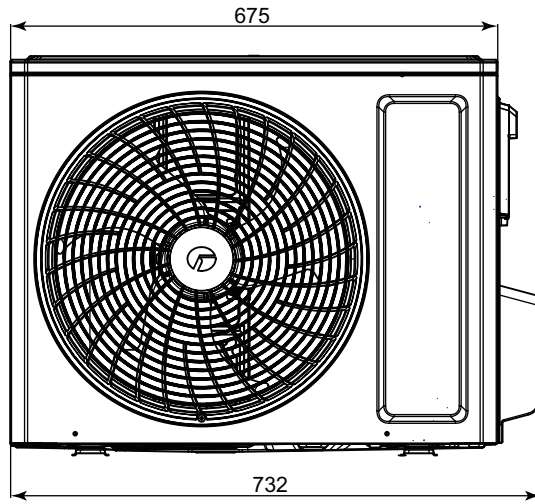
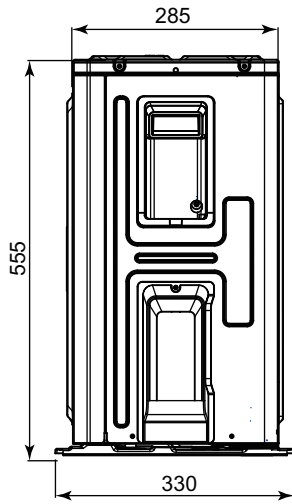
3.1 Indoor Unit



Model (-The first three characters)	W	H	D	W1	W2	W3
AUC	837	293	200	119	542	176
AUD	993	311	222	128	707.5	157.5

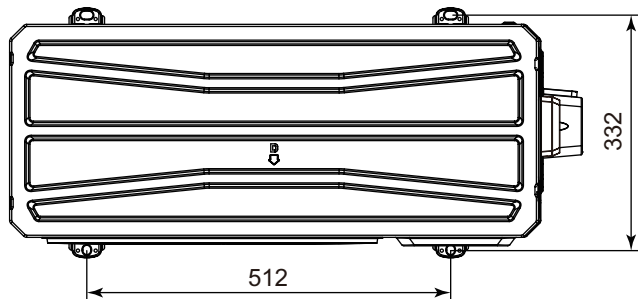
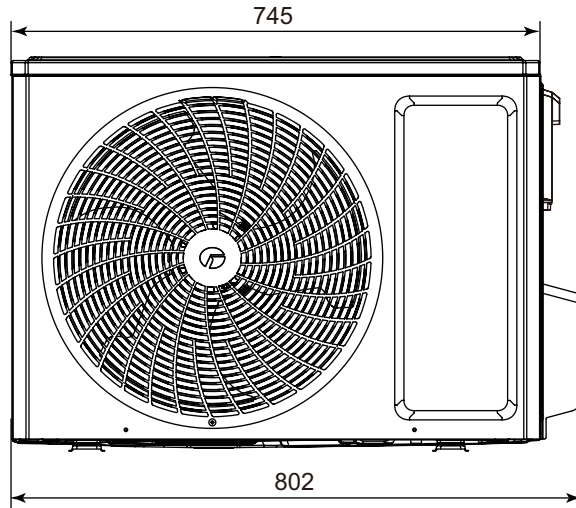
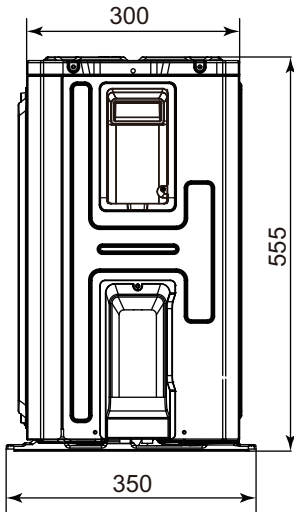
3.2 Outdoor Unit

GWH09AUCXB-K6DNA1A/O GWH12AUCXB-K6DNA1A/O



Unit:mm

GWH18AUDXD-K6DNA1A/O GWH12AUCXD-K6DNA1C/O
 (The front grill appearance is for reference only)



Unit:mm