

# CYL CD1 HHP



## DHW Cylinder for Heat Pumps with large coil surface

ErP Energy Class



- / Single coil
- / Extended coil surface for optimum coupling with Heat Pumps
- / Enameled tank
- / Magnesium anode
- / Recirculation connection
- / Heating element connection
- / 3 sensor pockets
- / Flexible and removable external insulation (excluding 600lt)
- / Wide flange for inspection (1.000 and 1.500 lt)
- / Floor standing installation


### TECHNICAL DATA

		600	800	1000	1500
Real Capacity	l	586	750	932	1474
Tank - Maximum operating pressure	bar	8	8	8	8
Tank - Maximum operating temperature	°C	95	95	95	95
Coil - Maximum operating pressure	bar	10	10	10	10
Coil - Maximum operating temperature	°C	95	95	95	95
Coil surface	m <sup>2</sup> /lt	5,7 / 56	6,0 / 59	6,0 / 59	7,5 / 74
Power (DHW from 10 to 45°C with LWT 60°C)	kW	76	79	79	100
Thermal losses	W	90	127	138	168
Weight	kg	167	215	251	383
Anode		magnesium	magnesium	magnesium	magnesium
Insulation		rigid	flexible	flexible	flexible
Insulation thickness	mm	50	130	130	130
Fire protection class (DIN 4102)		B3	B2	B2	B2

### DIMENSIONS

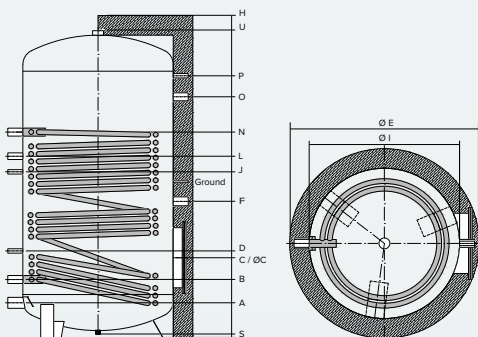
A - Cold water inlet	mm - "	143 - 1"	175 - 1 <sup>1</sup> / <sub>2</sub> "	175 - 1 <sup>1</sup> / <sub>2</sub> "	230 - 2"
B - Hydronic return to generator	mm - "	265 - 1 <sup>1</sup> / <sub>4</sub> "	312 - 1 <sup>1</sup> / <sub>4</sub> "	320 - 1 <sup>1</sup> / <sub>4</sub> "	375 - 1 <sup>1</sup> / <sub>4</sub> "
C / Ø C - Flange	mm	335	382	467	530
	Ø mm	120	120	400	400
D - Sensor pocket	mm - "	415 - 12"	442 - 12"	497 - 12"	575 - 12"
F - Heating element connection	mm - "	630 - 1 <sup>1</sup> / <sub>2</sub> "	657 - 1 <sup>1</sup> / <sub>2</sub> "	807 - 1 <sup>1</sup> / <sub>2</sub> "	905 - 1 <sup>1</sup> / <sub>2</sub> "
J - Sensor pocket	mm - "	955 - 12"	877 - 12"	1045 - 12"	1060 - 12"
L - Recirculation	mm - "	1095 - 12"	1037 - 1"	1165 - 1"	1195 - 1"
N - Hydronic supply from generator	mm - "	1275 - 1 <sup>1</sup> / <sub>4</sub> "	1207 - 1 <sup>1</sup> / <sub>4</sub> "	1320 - 1 <sup>1</sup> / <sub>4</sub> "	1355 - 1 <sup>1</sup> / <sub>4</sub> "
O - Magnesium anode	mm - "	1510 - 1 <sup>1</sup> / <sub>4</sub> "	1322 - 1 <sup>1</sup> / <sub>4</sub> "	1637 - 1 <sup>1</sup> / <sub>4</sub> "	1600 - 1 <sup>1</sup> / <sub>4</sub> "
P - Sensor pocket	mm - "	1640 - 12"	1447 - 12"	1790 - 12"	1740 - 12"
S - Discharge	mm - "	n.a.	n.a.	50 - 3/4"	45 - 3/4"
U - Domestic Hot Water outlet	mm - "	1858 - 1 <sup>1</sup> / <sub>4</sub> "	1765 - 1 <sup>1</sup> / <sub>2</sub> "	2060 - 1 <sup>1</sup> / <sub>2</sub> "	2060 - 2"
H - Height	mm	1.908	1.795	2.130	2.150
Ø E	mm	750	1.050	1.050	1.260
Ø I	mm	650	790	790	1.000

### CYL CD1 HHP

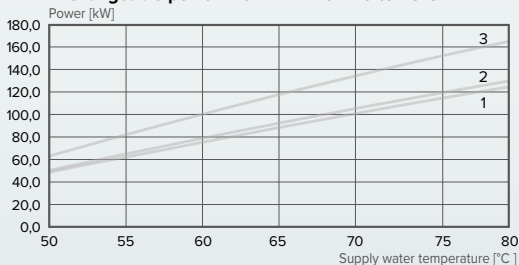
 Code	3060869	3060870	3060871	3060872
ErP Class	C	C	C	C
Price	0000,00 €	0000,00 €	0000,00 €	0000,00 €

### ACCESSORIES

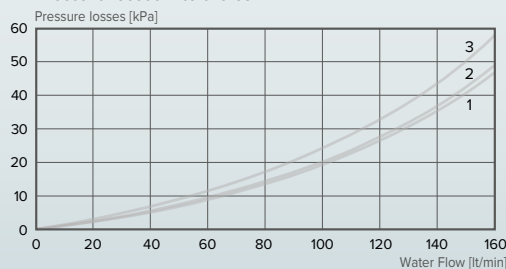
	CODE	600	800	1000	1500
Safety group 1"	885516	•			
Syphon 1"	877086	•			
PRESSURE RELIEF VALVE 1 1/2"	3105042		•	•	
PRESSURE RELIEF VALVE 2"	3105043				•



### Exchangeable power with DHW from 10 to 45°C



### Pressure losses into the coil



1 / CD1 600  
2 / CD1 800 - CD1 1000  
3 / CD1 1500

# CYL CD2 HHP



## DHW Cylinder for Heat Pumps and Solar with large coil surface

ErP Energy Class



- / Double coil
- / Extended coil surface for optimum coupling with Heat Pumps
- / Large coil for solare integration
- / Eenameled tank
- / Magnesium anode
- / Recirculation connection
- / Heating element connection
- / 3 sensor pockets
- / Flexible and removable external insulation (excluding 600lt)
- / Wide flange for inspection (1.000 and 1.500 lt)
- / Floor standing installation


### TECHNICAL DATA

		600	800	1000	1500
Real Capacity	l	586	750	932	1474
Tank - Maximum operating pressure	bar	8	8	8	8
Tank - Maximum operating temperature	°C	95	95	95	95
Coil - Maximum operating pressure	bar	10	10	10	10
Coil - Maximum operating temperature	°C	95	95	95	95
Upper coil surface (heat pump)	m <sup>2</sup> / 49	5,0 / 49	5,2 / 51	6,0 / 59	7,5 / 74
Lower coil surface (solar thermal)	m <sup>2</sup> / lt	2,0 / 20	2,0 / 20	3,3 / 32	3,6 / 35
Upper coil power (DHW from 10 to 45°C with LWT 60°C)	kW	69	71	79	100
Lower coil power (DHW from 10 to 45°C with LWT 60°C)	kW	33	33	50	57
Thermal losses	W	90	127	138	168
Weight	kg	188	234	285	417
Anode		magnesium	magnesium	magnesium	magnesium
Insulation		rigid	flexible	flexible	flexible
Insulation thickness	mm	50	130	130	130
Fire protection class (DIN 4102)		B3	B2	B2	B2

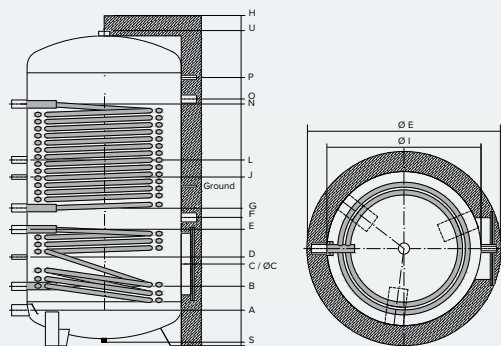
### DIMENSIONS

A - Cold water inlet	mm - "	143 - 1"	175 - 1 1/2"	175 - 1 1/2"	230 - 2"
B - Return to generator - lower coil	mm - "	265 - 1 1/4"	312 - 1 1/4"	320 - 1 1/4"	375 - 1 1/4"
C / Ø C - Flange	mm	335	382	467	530
	Ø mm	120	120	400	400
D - Sensor pocket	mm - "	415 - 1/2"	442 - 1/2"	520 - 1/2"	565 - 1/2"
E - Supply from generator - lower coil	mm - "	565 - 1 1/4"	572 - 1 1/4"	720 - 1 1/4"	760 - 1 1/4"
F - Heating element connection	mm - "	630 - 1 1/2"	657 - 1 1/2"	820 - 1 1/2"	900 - 1 1/2"
J - Sensor pocket	mm - "	955 - 1/2"	877 - 1/2"	1045 - 1/2"	1060 - 1/2"
G - Return to generator - upper coil	mm - "	700 - 1 1/4"	722 - 1 1/4"	870 - 1 1/4"	905 - 1 1/4"
L - Recirculation	mm - "	1095 - 1/2"	1037 - 1"	1165 - 1"	1195 - 1"
N - Supply from generator - lower coil	mm - "	1485 - 1 1/4"	1402 - 1 1/4"	1600 - 1 1/4"	1580 - 1 1/4"
O - Magnesium anode	mm - "	1510 - 1 1/4"	1242 - 1 1/4"	1640 - 1 1/4"	1610 - 1 1/4"
P - Sensor pocket	mm - "	1640 - 1/2"	1447 - 1/2"	1790 - 1/2"	1740 - 1/2"
S - Discharge	mm - "	n.a.	n.a.	50 - 3/4"	45 - 3/4"
U - Domestic Hot Water outlet	mm - "	1908 - 1 1/4"	1765 - 1 1/2"	2060 - 1 1/2"	2060 - 2"
H - Height	mm	1910	1795	2140	2160
Ø E	mm	750	1.050	1.050	1.260
Ø I	mm	650	790	790	1.000

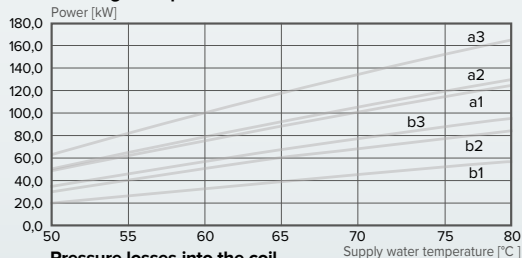
### CYL CD2 HHP

 Code	3060873	3060874	3060875	3060876
ErP Class	C	C	C	C
Price	0000,00 €	0000,00 €	0000,00 €	0000,00 €

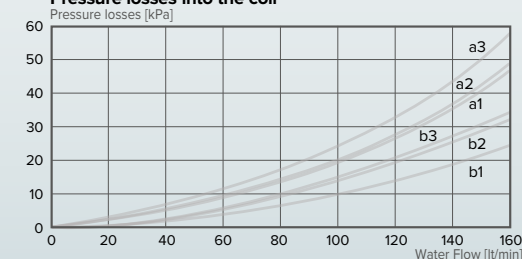
ACCESSORIES	CODE	600	800	1000	1500
Safety group 1"	885516	•			
Syphon 1"	877086	•			
PRESSURE RELIEF VALVE 1 1/2"	3105042		•	•	
PRESSURE RELIEF VALVE 2"	3105043				•



### Exchangeable power with DHW from 10 to 45°C



### Pressure losses into the coil



a1-b1 / CD2 600 & CD2 800 (upper-lower coil)  
 a2-b2 / CD2 1000 (upper-lower coil)  
 a3-b3 / CD2 1500 (upper-lower coil)