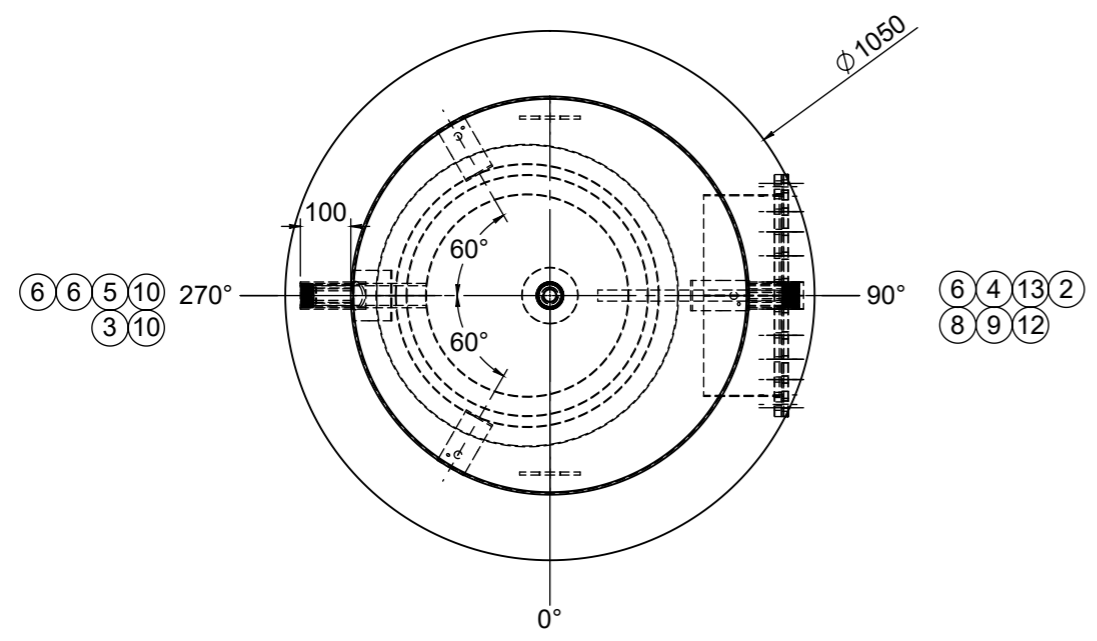
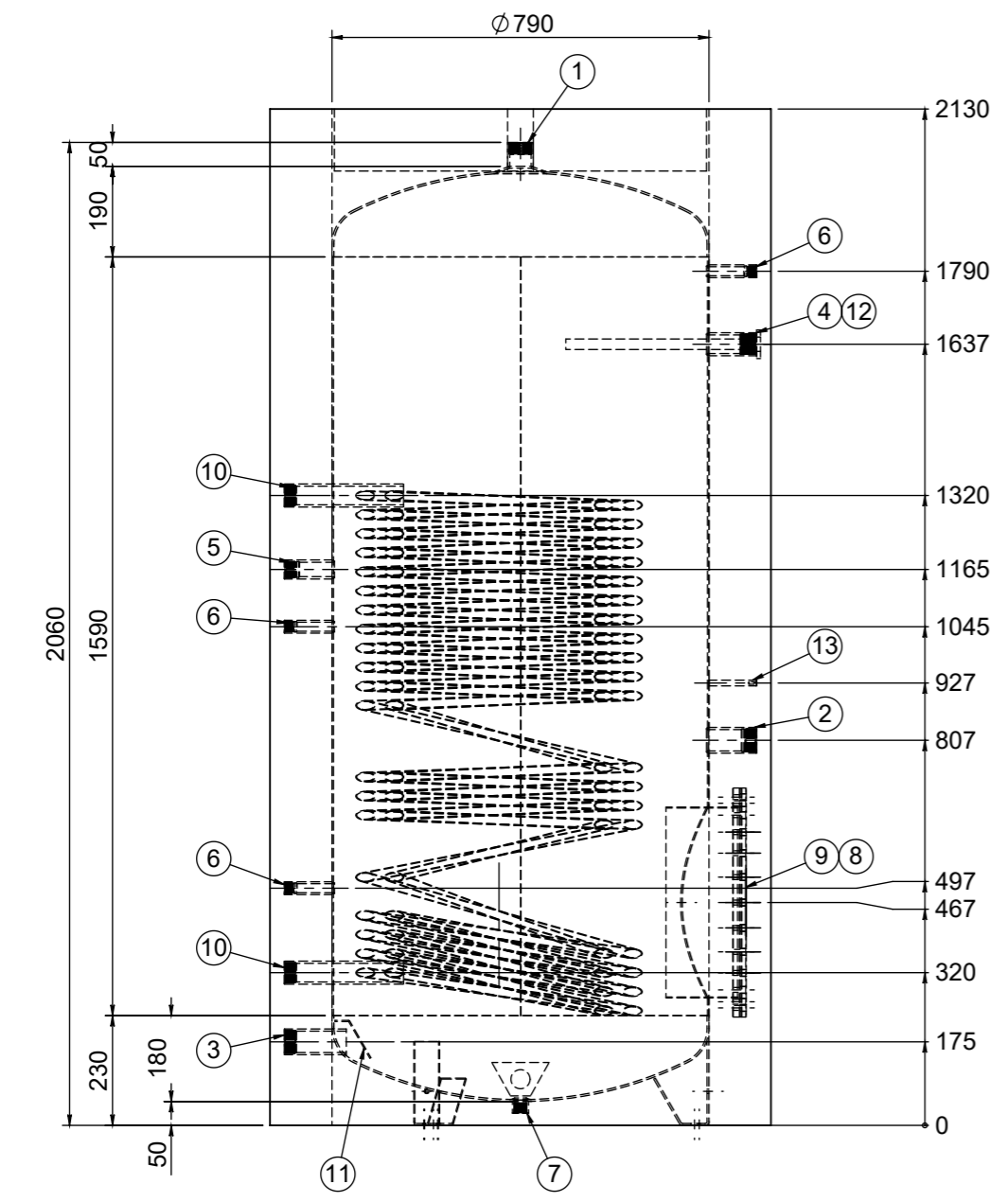


Bill of Materials: 10.WP1V01000F

ID	Description	Code	Notes	Material	UM	Qt
1	1"1/2 L=50	TML000574		S235JR (1.0037)	PZ	1
2	1"1/2 L=100	TML000759		S235JR (1.0037)	PZ	1
3	1"1/2 L=130	TML000568		S235JR (1.0037)	PZ	1
4	1"1/4 L=100	TML000751		S235JR (1.0037)	PZ	1
5	1" L=100	TML000763		S235JR (1.0037)	PZ	1
6	1/2" L=100	TML000775		S235JR (1.0037)	PZ	3
7	3/4" L=25	TML000612		S235JR (1.0037)	PZ	1
8	400/480 FLANGE	TML000907		S235JR (1.0037)	PZ	1
9	400/480 BLIND	TML005520		S235JR (1.0037)	PZ	1
10	EXCHANGER 5.8 M ² +2x 1"1/4	TML003519		S235JR (1.0037)	PZ	1
11	A-DEFLECTOR	TML001999		S235JR (1.0037)	PZ	1
12	MAGNESIUM ANODE	TML003775		--	PZ	1
13	EARTHING	TML000116		S235JR (1.0037)	PZ	1

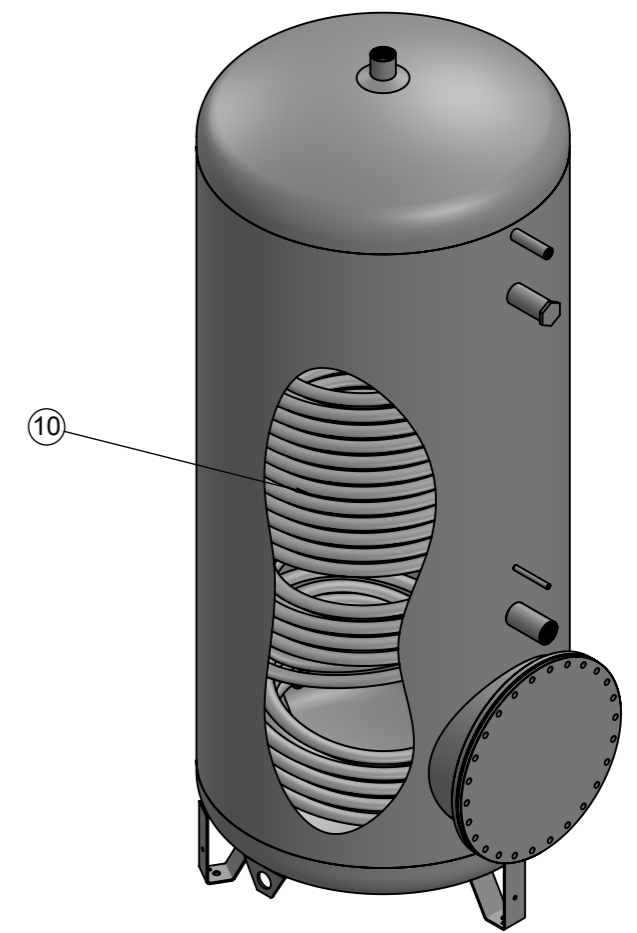


Customer: _____
 Ref. order: _____
 Ref. offer: _____
 Ref. OFV: _____

N° __ Pcs

Tank1: DHW
 Material: S235JR (1.0037)
 External treat.: PAINTED
 Internal treat.: ENAMELLED
 Pressure (exerc./test): 8/12 bar

Insulation: INSTALLED
 Material: POLYESTER
 Thickness: 130 mm
 Cover: PVC
 Color: RAL 9006



Nome file: TML007244c		Nr. Articolo: 10.WP1V01000F	
Stato: Approv.ne Commerciale		BOLL. LT.1000 VETRIF. x POMPA DI CALORE	
Data: 08/07/2022		SF D/SPIRA - C/FL.400/480 - COIB.FLEX	
Autore: Giuliano Iodice		Foglio1	
Pag: 1 di 1	Scala: 1:15	Materiali:	Peso: 244.6 kg
Formato: A3		Trattamento:	
		Rev: 00 - Creata: -- -- Approvata: GI 08/07/2022	
		EMISSIONE PER ACCETTAZIONE CLIENTE	

